



QUICK START GUIDE

HEAT RECOVERY UNITS VHR MODELS



DOWNLOAD INSTALLATION – OPERATION & MAINTENANCE INSTRUCTION FROM www.venco.com.tr AND READ BEFORE START-UP THE UNIT AND KEEP IT WITHIN EASY REACH OF SERVICE TECHNICIAN.

VENCO Havalandırma ve Makina San. ve Tic. A.Ş.

2004. Cad. No:5 45400 OSB Turgutlu – MANISA / TURKIYE

Tel: +90 (236) 332 5070 Fax: +90 (236) 332 5030

www.venco.com.tr

venco@venco.com.tr

1. INSTALLATION

Download Installation – Operation and Maintenance Instructions from www.venco.com.tr. Read before start-up the unit and keep it.

During Installation: EN 60204-1 rules should be implemented during the final assembly. Before the installing of heat recovery units, customers should control whether weight and dimensions of the stations are suitable for the places from where stations will pass through and assembly will be carried out. There should be sufficient amount of place around the unit to be able to give service and for piping connections. Heat recovery units should be assembled onto a hard and flat base.

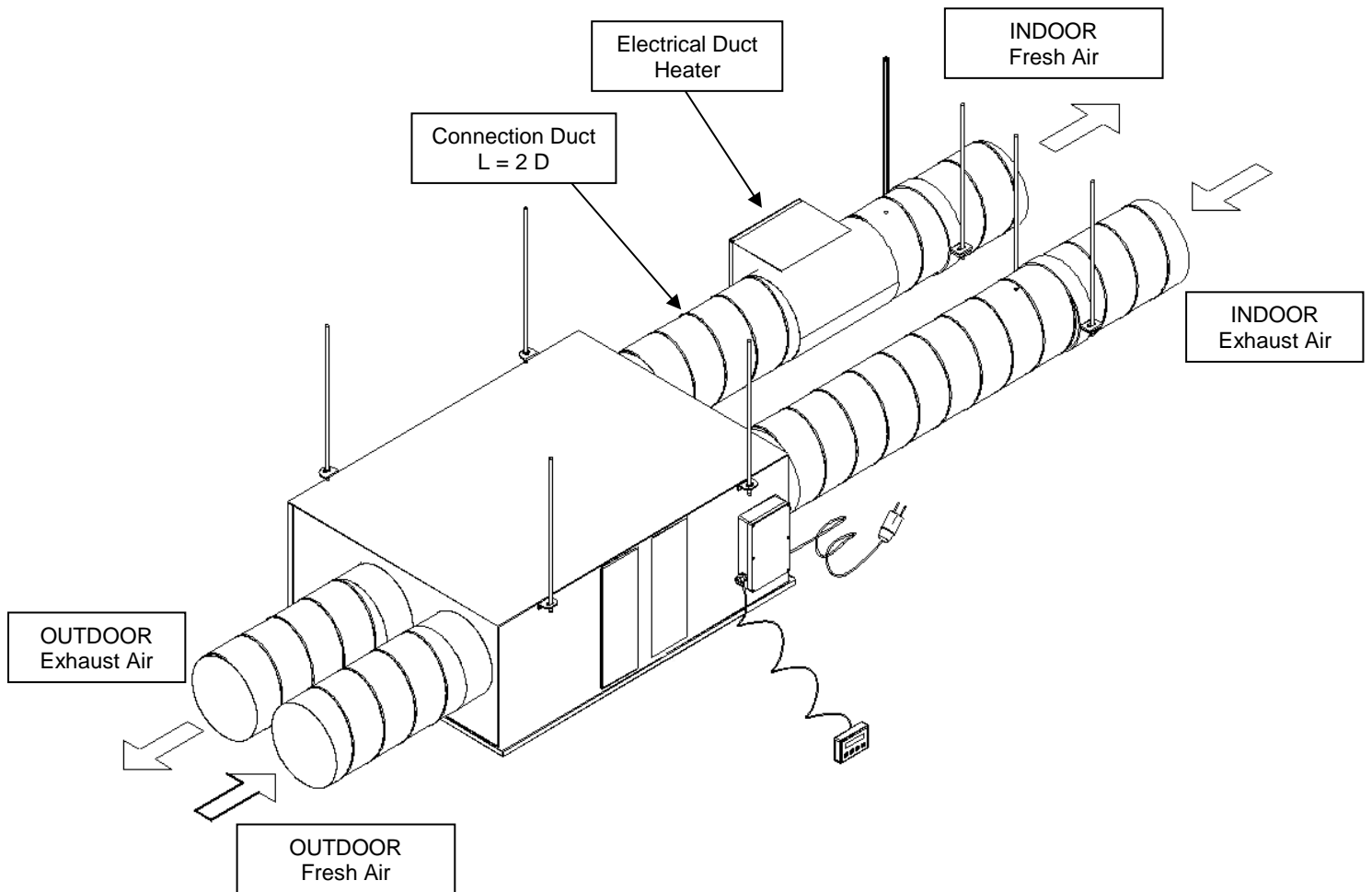
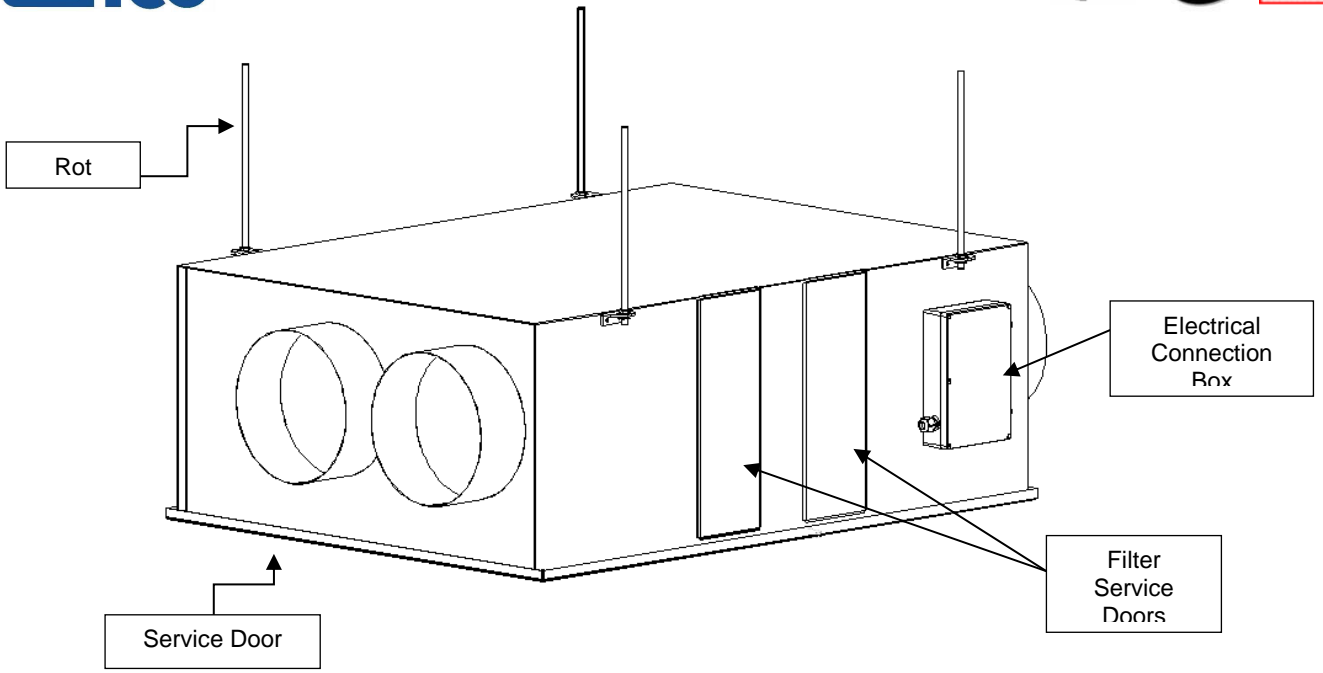


Figure 1.1. Connection Schematic



Şekil 1.2. Installation Schematic

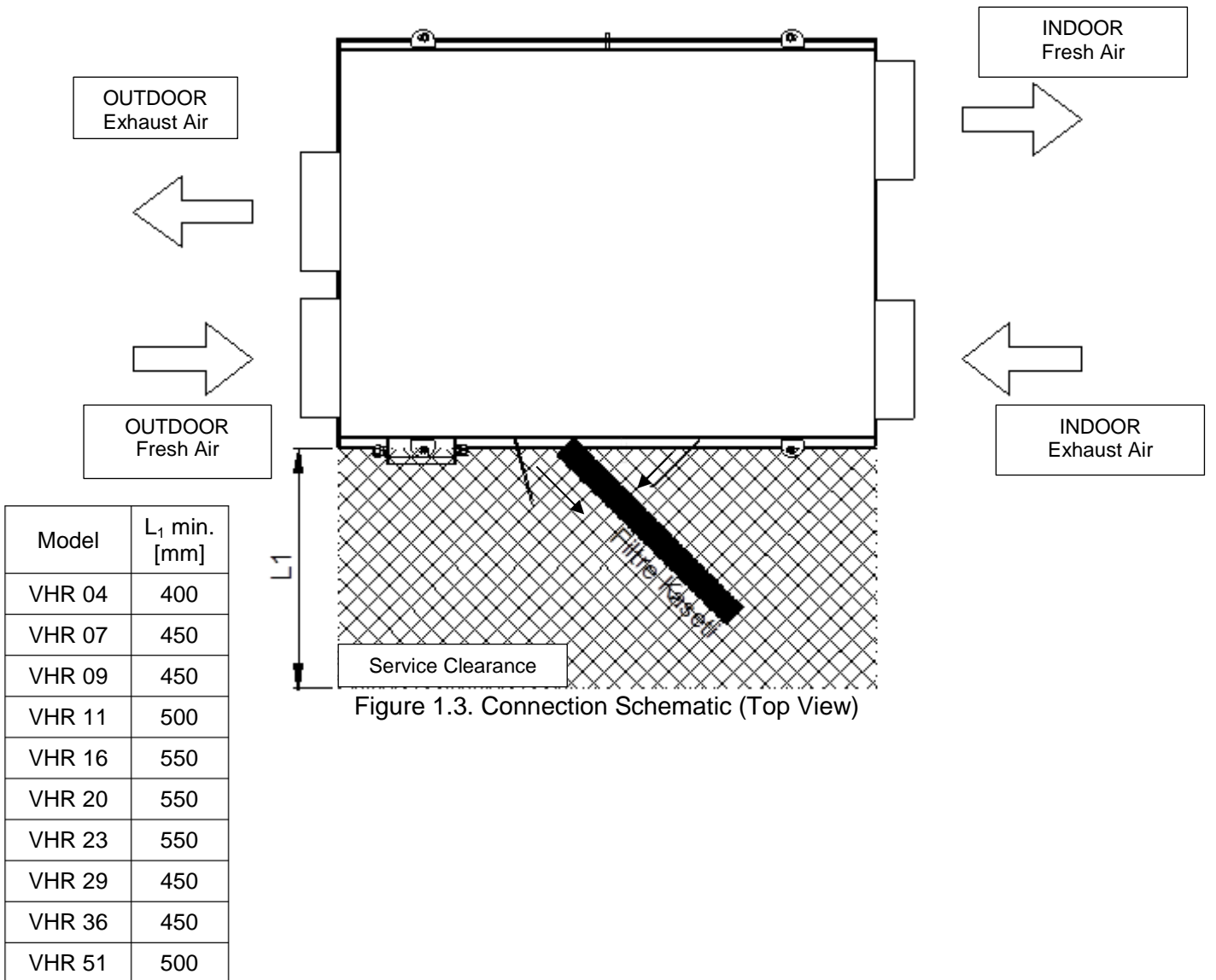


Figure 1.3. Connection Schematic (Top View)

2. CONNECTIONS

2.1. Duct Connections

Return air, fresh air, exhaust air and supply air ducts should be fixed (connected) to the unit with flexible connection. Required leak-proofing should be obtained in order to ensure desirable air flow. Having improper (bad) unit – duct connections and wrong dimension, shape and duct fragments inside of the connection may cause a turbinated air flow.

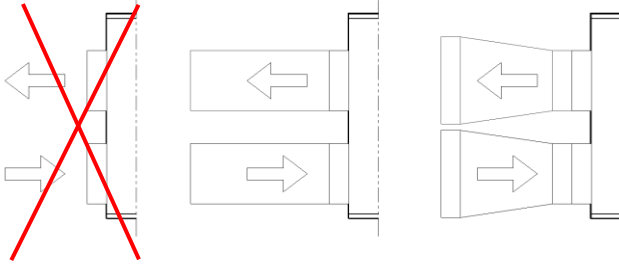


Figure 2.1.1. Free Outlet

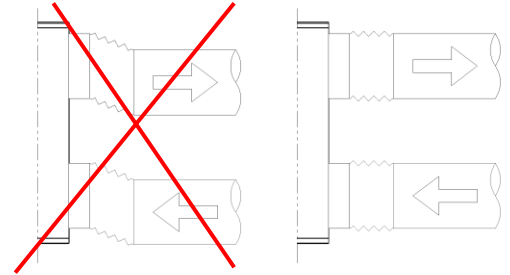


Figure 2.1.2. Ducted Outlet

2.2. Drain Connections



The pipe coming out of the drain pan should be connected to a U or P shaped flusher pipe and should be filled with water in order to not to cause air suction as described below.

2.3. Electrical Connections



ALL ELECTRICAL CONNECTIONS SHALL BE DONE ACCORDING TO EN 60204-1 BY TRAINED AND AUTHORIZED PERSONEL.



ELECTRICAL CONNECTIONS ARE READY FOR PLUG-IN CONNECTION. DO NOT CUT CABLE AND PREPARE PROPER EQUIPMENT TO CONNECT.

All electricity connections should be designed and prepared according to EN 60204 – 1 Standards. The electrical materials, cables and all relevant control and remote control equipment should be chosen and designed suitable to unit peculiarities and requirements. Electrical wiring diagrams are given in “Installation – Operation and Maintenance Instructions” 17. Appendix Section